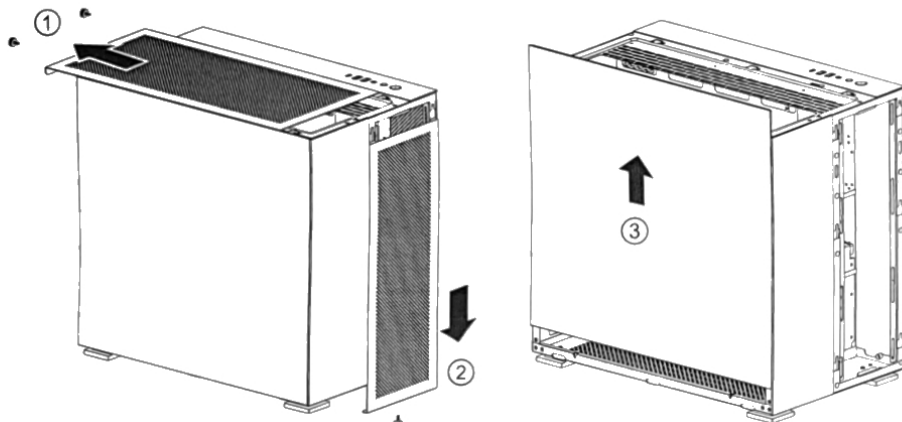


1 Disassemble of top cover, front plate and side panel

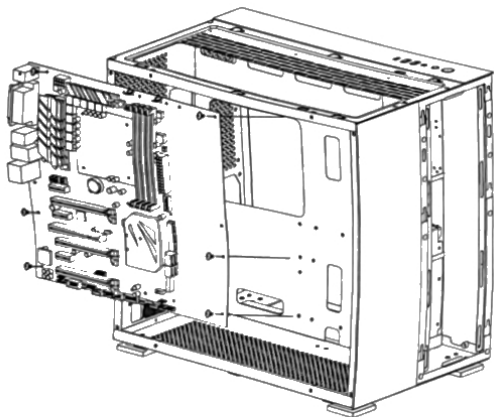
- ① Remove the screws of the rear end of the top cover, then pull top cover out backwards
- ② Remove the screws of the bottom of the front plate, then pull out the front plate downwards
- ③ The tempered glass side panel adopted tenon screw-less structure design. Align the hooks and the holes then install the tempered glass side panel downwards from the up end according to the position as shown in the illustration, the tempered glass side panel will be fastened automatically by gravity



Note: there are dust-proof mesh on the top cover, behind the front plate and beneath the bottom

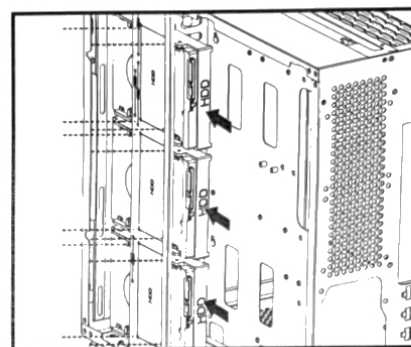
2 M/B installation

Put M/B in the case and align the screw holes, then fix M/B by screws as shown in the following illustration (this case support E-ATX M/B and ATX M/B and micro ATX M/B and ITX M/B)
(different M/B has different installation characteristics, please refer to the user manual of your M/B before installation)

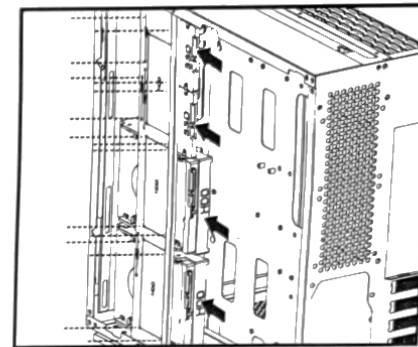


3 HDD / SSD installation

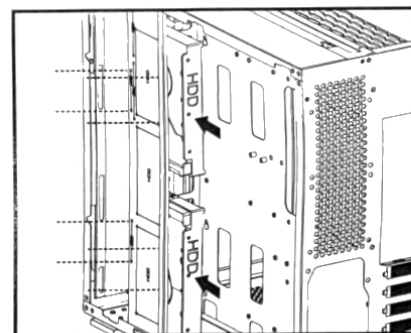
Install the 3.5-inch HDD and 2.5-inch SSD on the M/B conjoined HDD/SSD bracket as shown in the following illustration, and fix them with screws in the corresponding holes (there are three installation methods for the M/B conjoined HDD/SSD bracket, you can choose one of them)
Support: HDDx3 + SSDx2 or HDDx2 + SSDx4 or HDDx2 + SSDx2



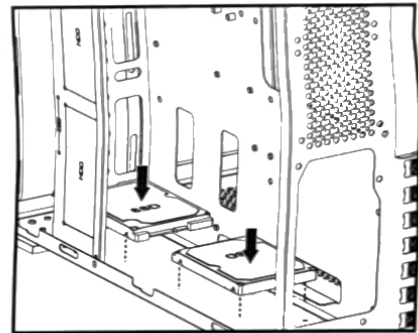
① M/B conjoined HDD/SSD bracket can be installed with HDDx3



② M/B conjoined HDD/SSD bracket can be installed with HDDx2 + SSDx2



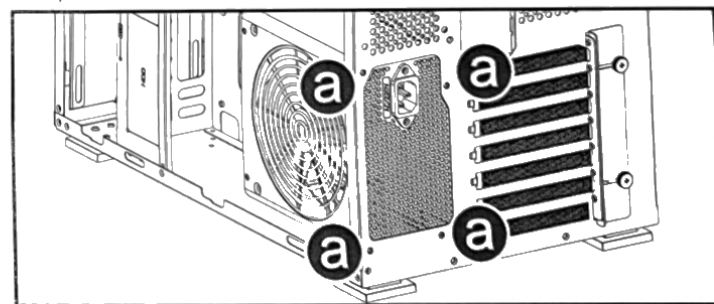
③ M/B conjoined HDD/SSD bracket can be installed with HDDx2



bottom cover can be installed with SSDx2

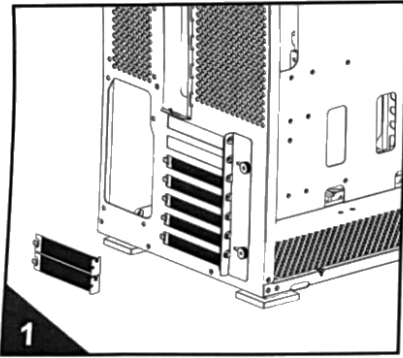
4 PSU installation

Put PSU to the position as shown in the illustration, fasten the 4 pcs screws of "a" positions

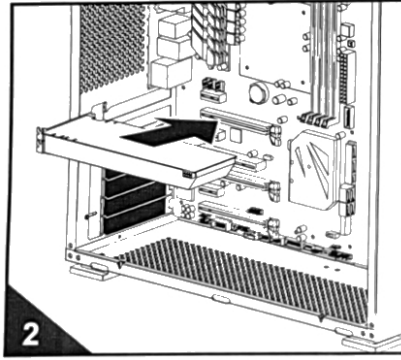


5 VGA card installation

- ① Unscrew the screws of the fastening bar of the PCI slot covers, remove the fastening bar, then remove PCI slot covers
- ② Insert VGA card into the VGA card slot of M/B according to the arrow direction



1 Unscrew the screws fixed PCI slot covers, remove PCI slot cover

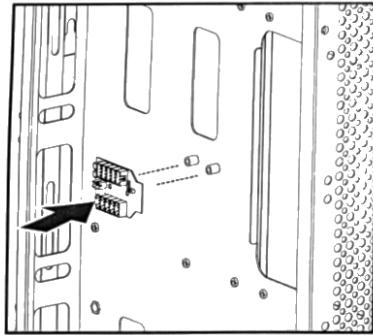
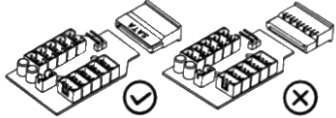


2 Insert VGA card into the slot of M/B according to the arrow direction

6 Control board installation

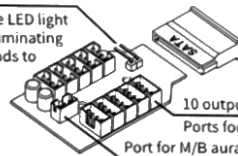
Put the 10 ports control board to the position as shown in the illustration, align screws holes, then fasten screw (Note: Control board is optional item. If the case comes without control board, then ignore it)

Caution! Please connect SATA connector properly as shown in the following illustration before power on



Port for switch button

The control board can control the LED light of connected ARGB fan, ARGB illuminating board. Press and hold for 5 seconds to switch to M/B sync



10 output ports of small 4pin

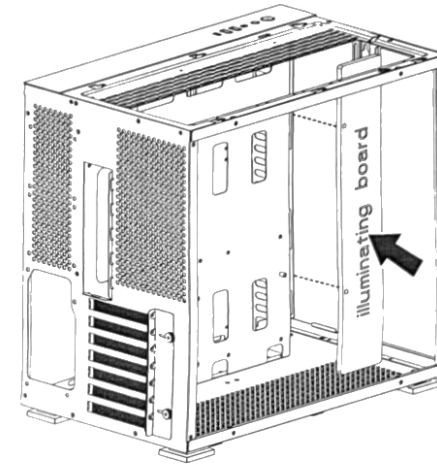
Ports for connecting fan and illuminating board

Port for M/B aura sync

Take out Aura cable from the accessories box, connect small 3pin of the Aura cable with this port, and connect another connector of 5V 3pin (Aura connector) to the M/B Aura port

7 Illuminating board installation

Put illuminating board to the position as shown in the illustration, align the holes according to the arrow direction, then fasten screws



Note: illuminating board is optional item. If the case comes with illuminating board, install it according to the above illustration. If the case comes without illuminating board, then ignore it

8 Cooling device compatibility

Front: 3x12cm fan or 1x240mm water cooling kit

Top: 2x12cm fan; or 2x14cm fan; or 1x360mm/280mm/240mm water cooling kit

Rear: 1x12cm fan or 1x120mm water cooling kit + 2x8cm fan

Bottom: 3x12cm fan

