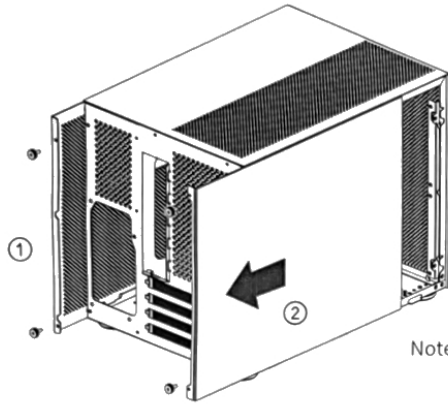


1 Disassemble Of Side Panels

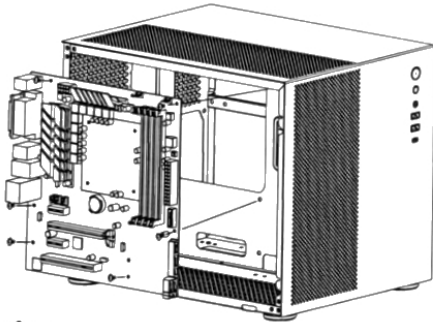
- ① Remove the screws of the rear end of the left & right side panels
- ② Then pull the side panels out backwards



Note: there is dust-proof mesh beneath bottom cover

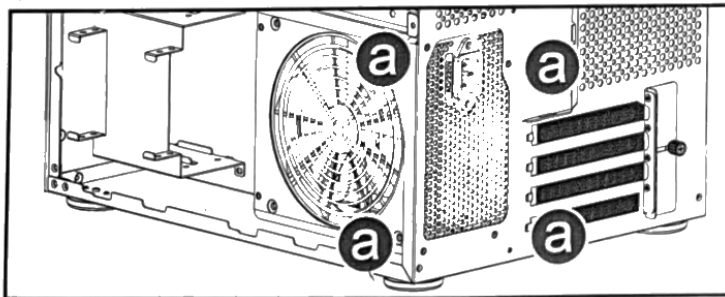
2 M/B installation

Put M/B in the case and align the screw holes, then fix M/B by screws as shown in the following illustration (this case support micro ATX M/B and ITX M/B) (different M/B has different installation characteristics, please refer to the user manual of your M/B before installation)



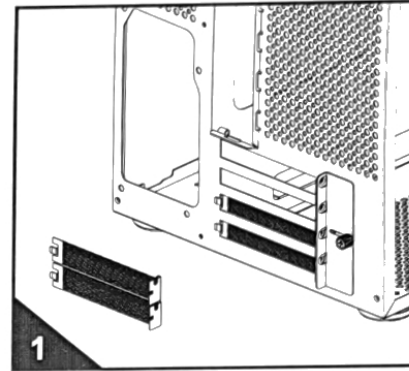
3 PSU installation

Put PSU to the position as shown in the illustration, fasten the 4 pcs screws of "a" positions

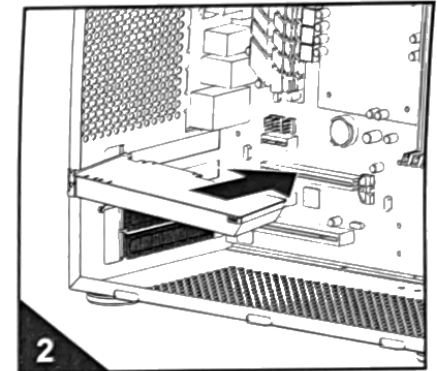


4 VGA card installation

- ① Unscrew the screws of the fastening bar of the PCI slot covers, remove the fastening bar, then remove PCI slot covers
- ② Insert VGA card into the VGA card slot of M/B according to the arrow direction



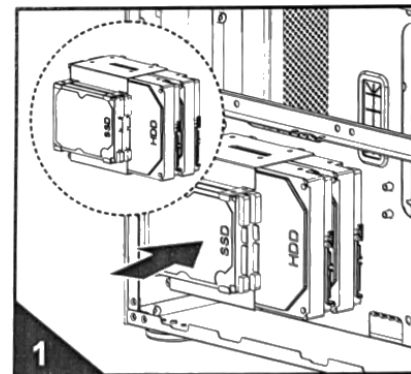
Unscrew the screws fixed PCI slot covers, remove PCI slot cover



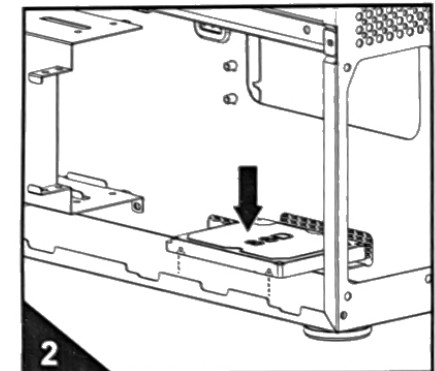
Insert VGA card into the slot of M/B according to the arrow direction

5 HDD / SSD installation

- ① Put 3.5" HDD and 2.5" SSD in the HDD/SSD cage as shown in the illustration 1, align screw holes, then fix HDD/SSD by screws
- ② Bottom cover can be installed with 2pcs 2.5" SSD. Put 2.5" SSD on the bottom cover as shown in the illustration 2, align the screw holes, then fix SSD by screws from the outside of the bottom
Support: HDDX2+SSDX4



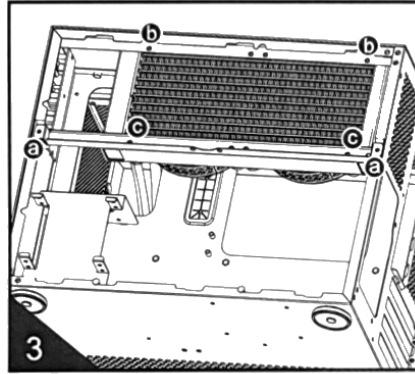
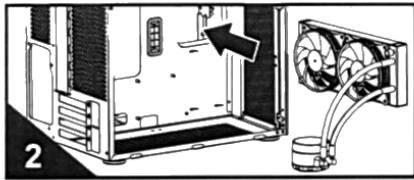
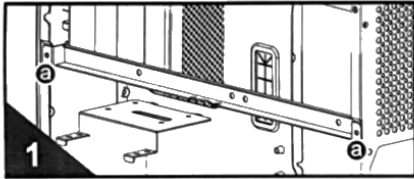
HDDx2 + SSDx2 can be installed in the HDD/SSD cage



SSDx2 can be installed on the bottom cover

6 Water cooling kit installation

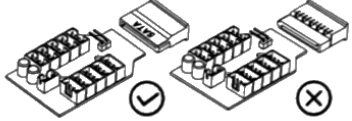
- 1 Unscrew the screws of "a" positions of the radiator bracket; remove the radiator bracket
- 2 Pass radiator through the hole from the left as shown in the illustration 2 and put it on the back of M/B bracket
- 3 Align the screw holes of "b" positions with the screw holes of the radiator from the reverse side, fix the radiator by screws. Put the removed radiator bracket back to "a" positions, fix the bracket by screws. Align the screw holes of "c" positions of the bracket with the screws holes of the radiator, fix the other side of the radiator by screws



7 Control board installation

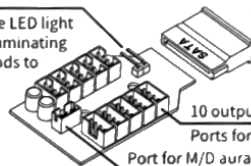
Put the 10 ports control board to the position as shown in the illustration, align screws holes, then fasten screw (Note: Control board is optional item. If the case comes without control board, then ignore it)

Caution! Please connect SATA connector properly as shown in the following illustration before power on

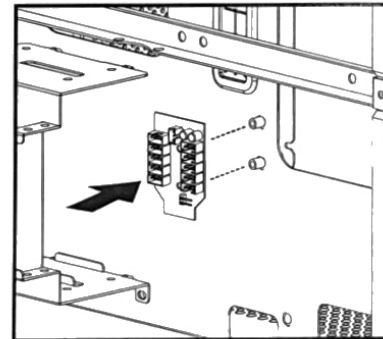


Port for switch button

The control board can control the LED light of connected ARGB fan, ARGB illuminating board. Press and hold for 5 seconds to switch to M/B sync

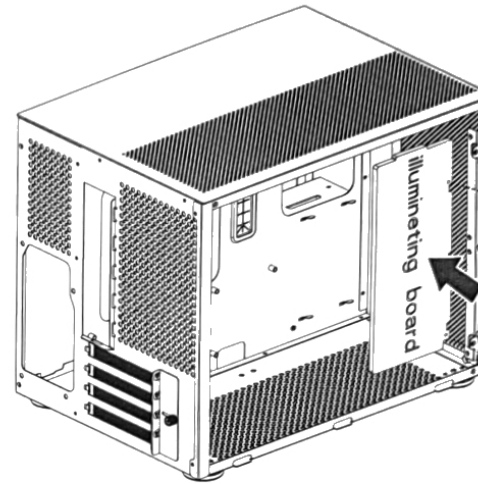


Take out Aura cable from the accessories box, connect small 3pin of the Aura cable with this port, and connect another connector of 5V 3pin (Aura connector) to the M/B Aura port



8 Illuminating board installation

Put illuminating board to the position as shown in the illustration, align the holes according to the arrow direction, then fasten screws. (Caution: need to install top cooling devices first before install the illuminating board)



Note: illuminating board is optional item. If the case comes with illuminating board, install it according to the above illustration. If the case comes without illuminating board, then ignore it

9 Cooling device compatibility

Front: 2x12cm fan

Top: 2x12cm fan

Rear: 1x12cm fan or 1x120mm water cooling kit

Bottom: 2x12cm fan

M/B back: 2x12cm fan or 1x240mm water cooling kit

