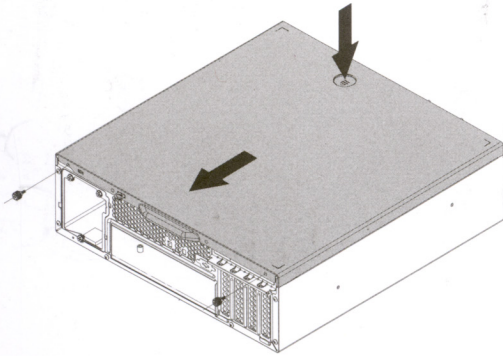
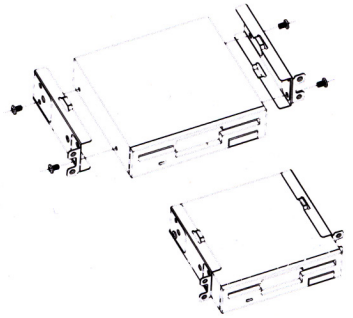


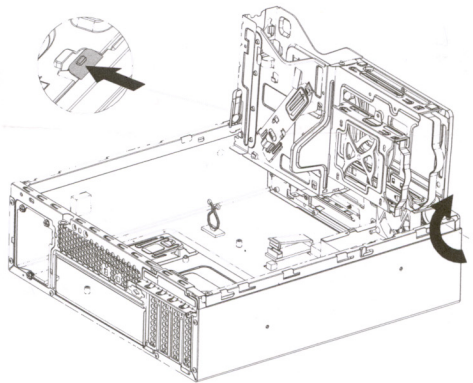
1005 FDD / Card Reader Installation Instruction



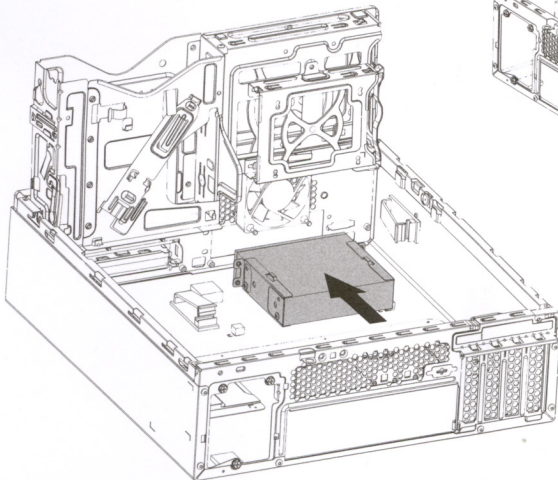
1. Remove the side panel



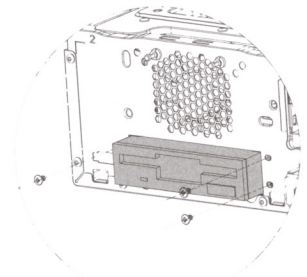
2. Install FDD / Card Reader
to bracket



3. Open the ODD bracket



4. Install FDD / Card reader
unit to front panel



5. Lock the screws & fix the
FDD / Card Reader