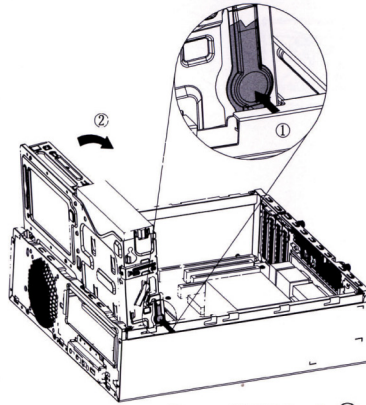
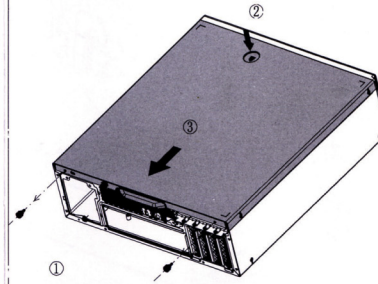


- How to install PCI Cards

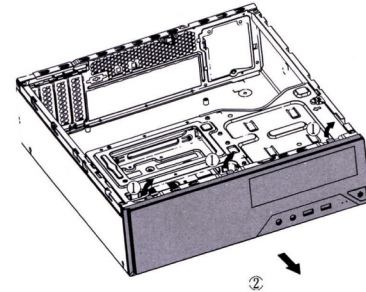


- Press ODD lock ①
- Close ODD bracket ②

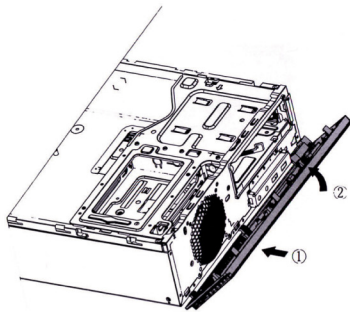
Installation Guide



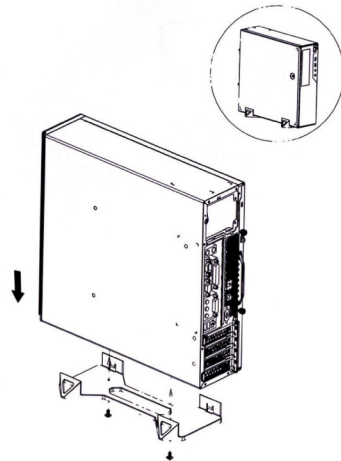
- How to disassemble side panel



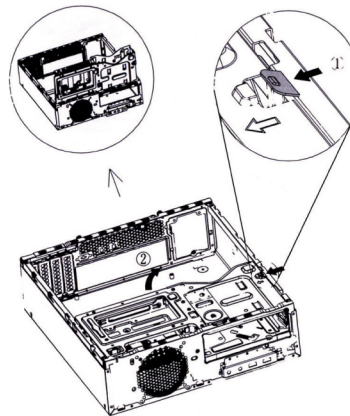
- How to disassemble front panel



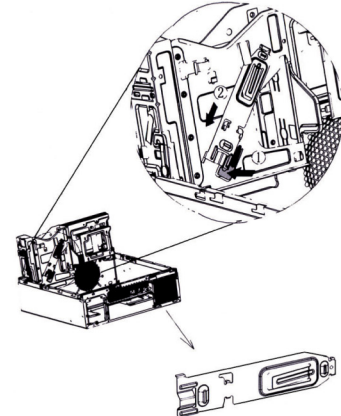
- How to install front panel



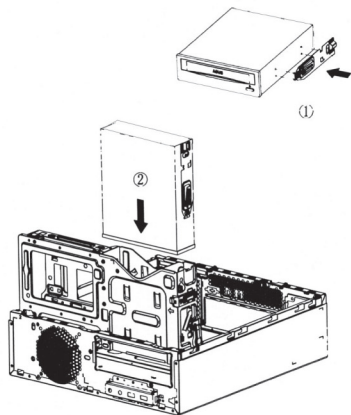
- How to install bottom stand



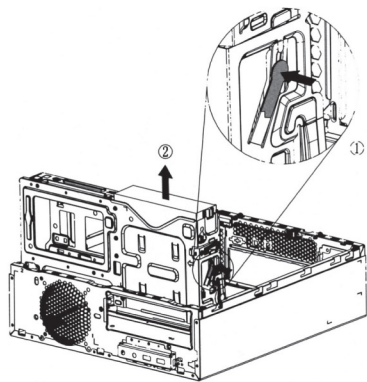
- Press the Retaining Clip ①
- Pivot the drive bay upward ②



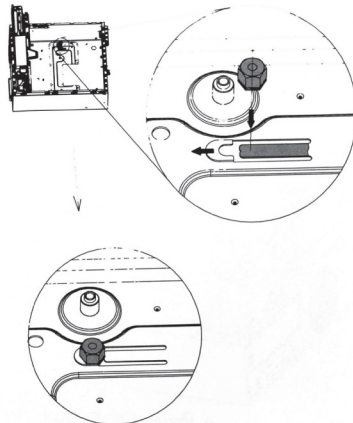
- Disassemble ODD Retainer



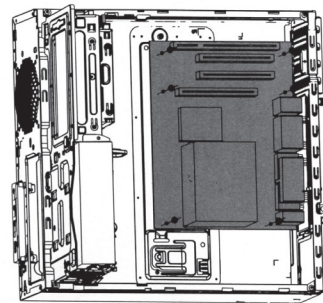
● Install CD-Rom



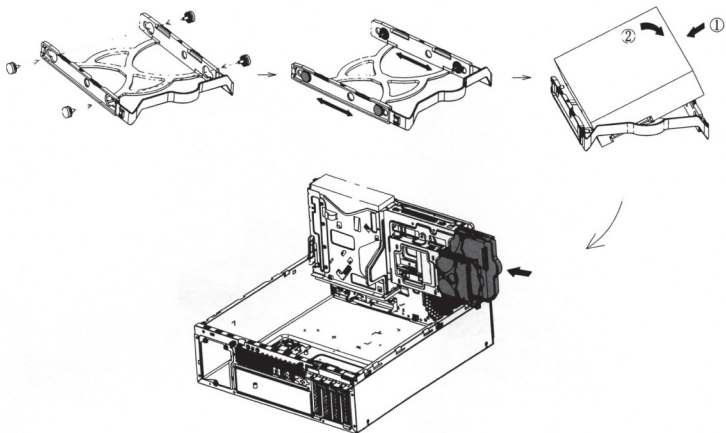
● Disassemble CD-Rom



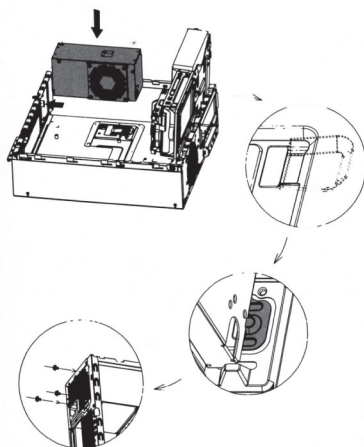
● Fix the screws on mainboard



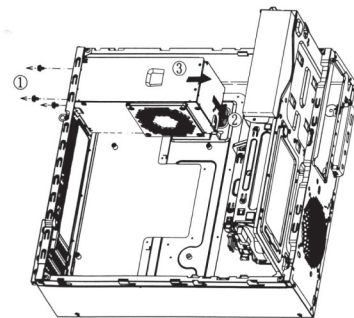
● Install mainboard



● Install 3.5" HDD / 2.5" HDD / SSD



● Install power supply



● Disassemble power supply